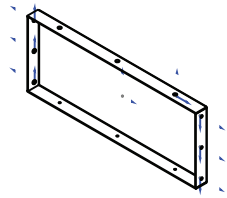


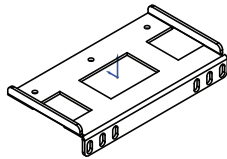
IRP1043S10/IRP1043V10 Installation Instruction

Included in this package

(1) 4U Solid Panel



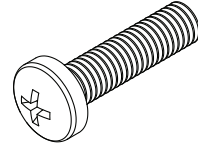
(2) 4U Ear Bracket



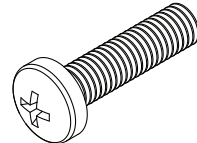
(6) M4 x 8 Screws



(4) #10-32 x 5/8 Rack Screws

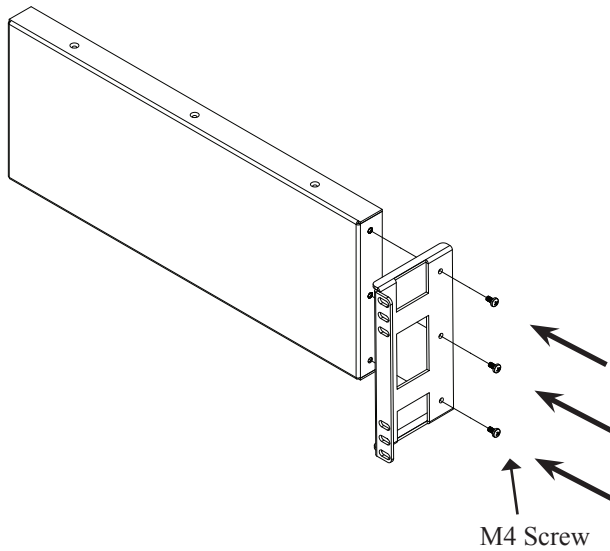


(4) #12-24 x 5/8 Rack Screws

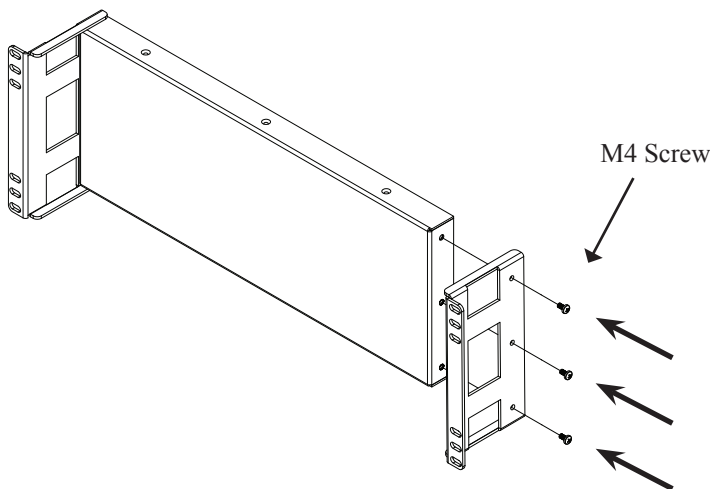


Installation Steps

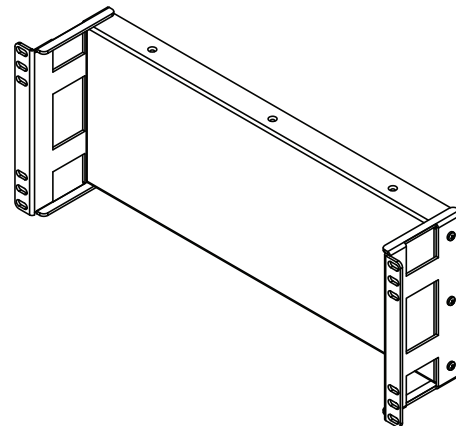
Step 1 Installing right side ear bracket



Step 2 Installing left side ear bracket



Step 3 Tighten all (6) M4 screws



Assembly Complete.